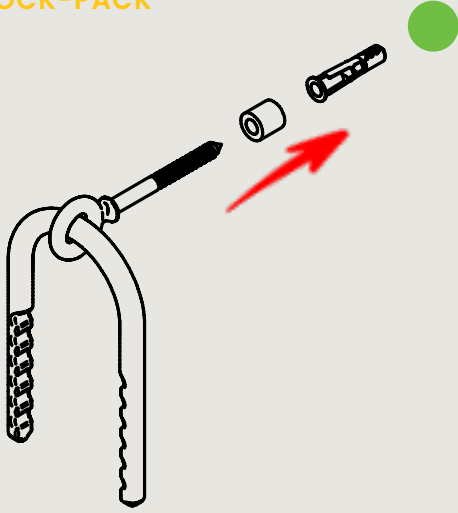
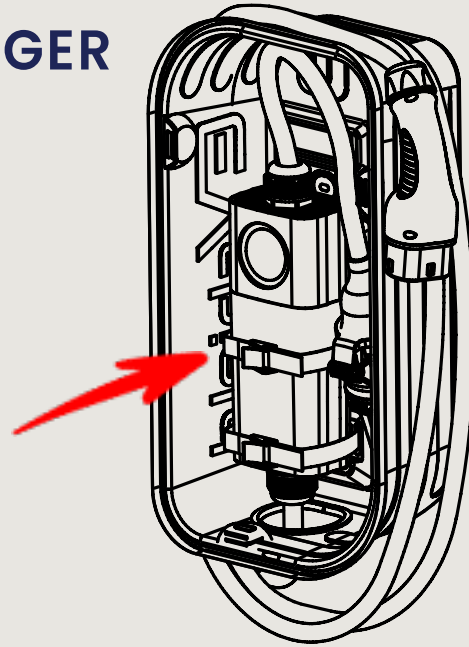


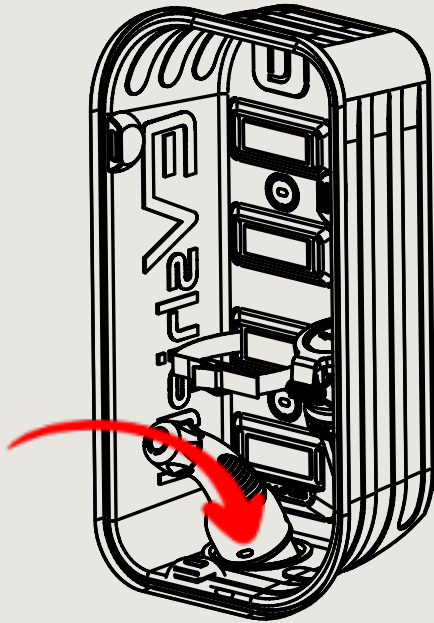
06  
LOCK  
OPTIONAL LOCK-PACK



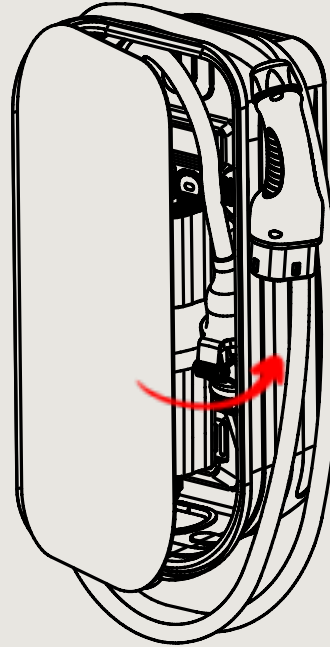
08  
CHARGER



07  
CABLE



09  
COVER



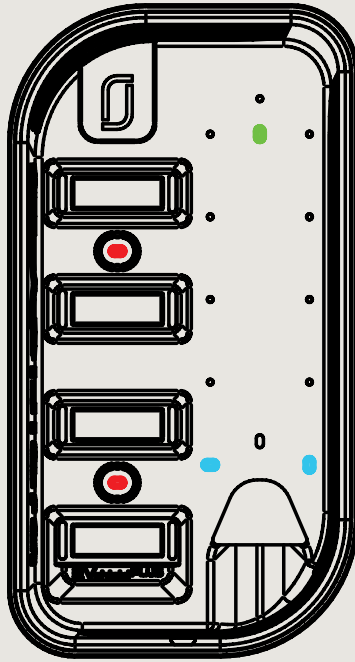
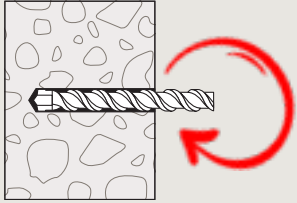
EVshield  
PLUS



# INSTRUCTIONS

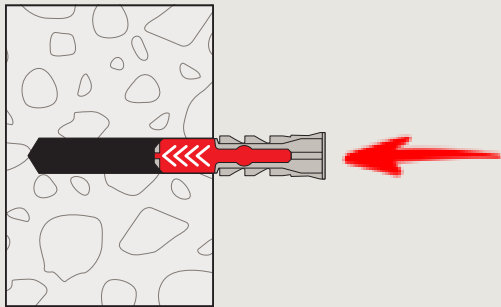


## 01 DRILL Ø6MM X 40MM

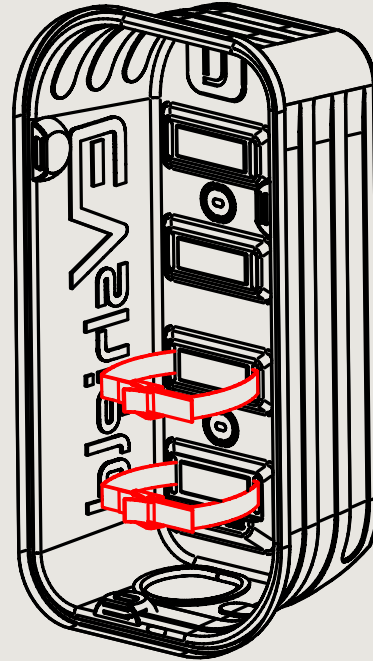


2x EVshield  
2x POWER  
1x Lock

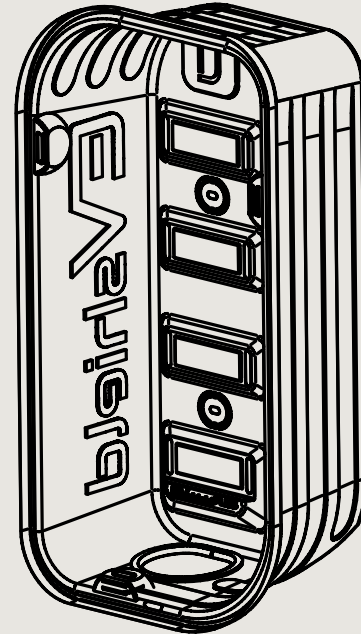
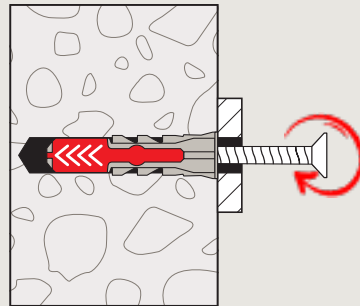
## 02 PLUG



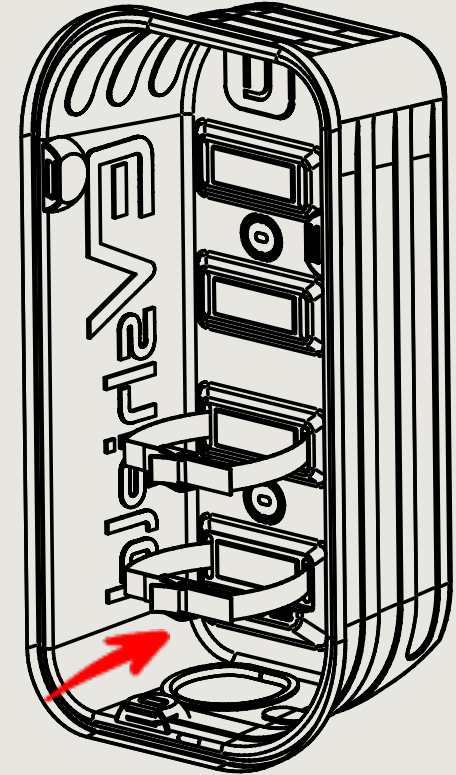
## 03 BELT



## 04 EVSHIELD



## 05 POWER OPTIONAL POWER-PACK



PE  
N  
L  
N  
L  
N



### Disclaimer

This guide is to be used as a reference only. EVshield does not provide advice, instructions or recommendations regarding the electrical installation and cannot be held liable for incorrect installation of the EVshield and associated components. Always follow the instructions of the charger manufacturer and have the installation carried out by a certified installer according to local safety guidelines.

EVshield  
PLUS